

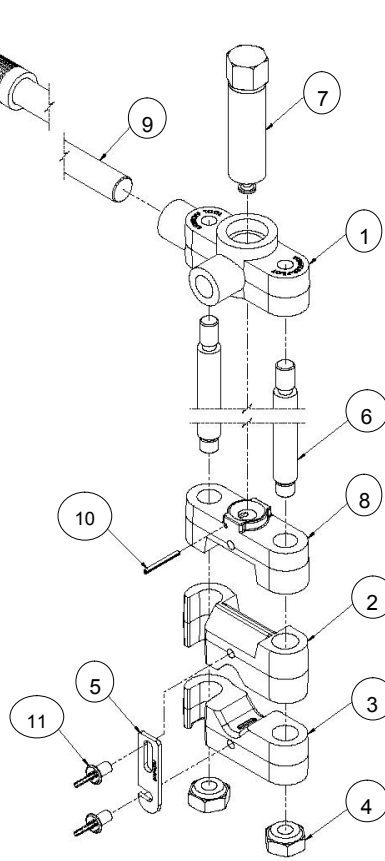
| ITEM NO. | PART NUMBER | DESCRIPTION | QTY |
|----------|-------------|------------------------------|-----|
| 1 | 7013 | HEAD | 1 |
| 2 | 706 | COMPRESSOR DIE | 1 |
| 3 | 7070 | COMBINATION DIE | 1 |
| 4 | 708 | REFORMING DIE | 1 |
| 5 | 703 | COMPRESSOR SCREW | 1 |
| 6 | 7010 | LATCH | 1 |
| 7 | 70142 | GUIDE ROD NUT | 2 |
| 8 | 70141 | GUIDE ROD | 2 |
| 9 | 6512 | PRESSURE PLATE | 1 |
| 10 | 6526 | HANDLE | 1 |
| 11 | 154 | GRIP | 1 |
| 12 | 6513 | #10-24 SHCS | 2 |
| 13 | 6511 | THUMB SCREW | 3 |
| 14 | 7012 | INSERT | 1 |
| 15 | 654 | 5/16-24 HEX NUT THIN | 1 |
| 16 | 275302 | DOWEL PIN | 1 |
| 17 | 506032 | 1" SOCKET | 1 |
| 18 | 6515 | RATCHET, 1/2" SQ. DRIVE MALE | 1 |



PIPE TOOLS
Model 70 Shut Off Tool

Wheeler-Rex
wheeler@wheelerrex.com
www.wheelerrex.com

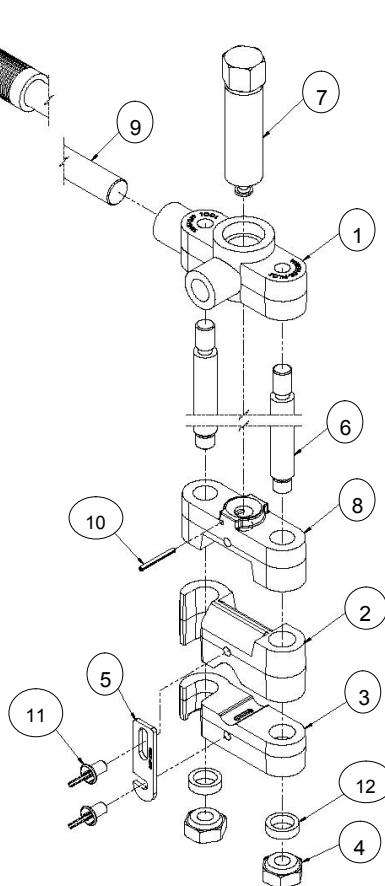
| ITEM NO. | PART NUMBER | DESCRIPTION | QTY |
|----------|-------------|---------------------------------------|-----|
| 1 | 221185 | HEAD ASSEMBLY | 1 |
| 2 | 221188 | COMBINATION DIE | 1 |
| 3 | 221190 | REFORMING DIE | 1 |
| 4 | 65142 | GUIDE ROD NUT | 2 |
| 5 | 6510 | LATCH | 1 |
| 6 | 65141 | GUIDE ROD | 2 |
| 7 | 221192 | COMPRESSOR SCREW | 1 |
| 8 | 221186 | COMPRESSOR DIE ASSEMBLY | 1 |
| 9 | 652 | HANDLE ASBY | 1 |
| 10 | 275053 | 1/8" DIA x 1 1/4" ROLL PIN | 1 |
| 11 | 6511 | THUMB SCREW | 2 |
| 12 | 506032 | 1" SOCKET **NOT SHOWN** | 1 |
| 13 | 6515 | MALE 1/2" SQ DR RATCHET **NOT SHOWN** | 1 |



Model 85 Shut Off Tool

Wheeler-Rex
wheeler@wheelerrex.com
www.wheelerrex.com

| ITEM NO. | PART NUMBER | DESCRIPTION | QTY |
|----------|-------------|---------------------------------------|-----|
| 1 | 221185 | HEAD ASSEMBLY | 1 |
| 2 | 221188 | COMBINATION DIE | 1 |
| 3 | 221193 | REFORMING DIE | 1 |
| 4 | 65142 | GUIDE ROD NUT | 2 |
| 5 | 6510 | LATCH | 1 |
| 6 | 65141 | GUIDE ROD | 2 |
| 7 | 221192 | COMPRESSOR SCREW | 1 |
| 8 | 221186 | COMPRESSOR DIE ASSEMBLY | 1 |
| 9 | 652 | HANDLE ASSEMBLY | 1 |
| 10 | 275053 | 1/8" DIA x 1 1/4" ROLL PIN | 1 |
| 11 | 6511 | THUMB SCREW | 2 |
| 12 | 6551 | 1/2" REFORMING DIE BUSHING | 2 |
| 13 | 506032 | 1" SOCKET **NOT SHOWN** | 1 |
| 14 | 6515 | MALE 1/2" SQ DR RATCHET **NOT SHOWN** | 1 |



Model 86 Shut Off Tool

Wheeler-Rex
wheeler@wheelerrex.com
www.wheelerrex.com